

A. SPECIFICATIONS

•	Main Chip Silicon Tuner (RF) Low IF -Demodulator EEPROM	Philips SAA7135 Philips TDA8275A Philips TDA8290 24x02
•	Video Input	RF-In (RF SMD connector) S-Video Composite Video
•	Audio Input	Right & Left (for J3)
•	Audio Output	Right & Left (for J2)
•	Video Capture rate	30 frames/second (NTSC) 25 frames/second (PAL, SECAM)
•	Hardware Interface	Mini-PCI Bus
	Drivers support	BDA driver for Windows 2000, XP

Support Autoscans full channel. (NTSC, PAL, SECAM)

PCB Size : 5.9cm (W) * 4.4cm (L) * 1.00mm (H)

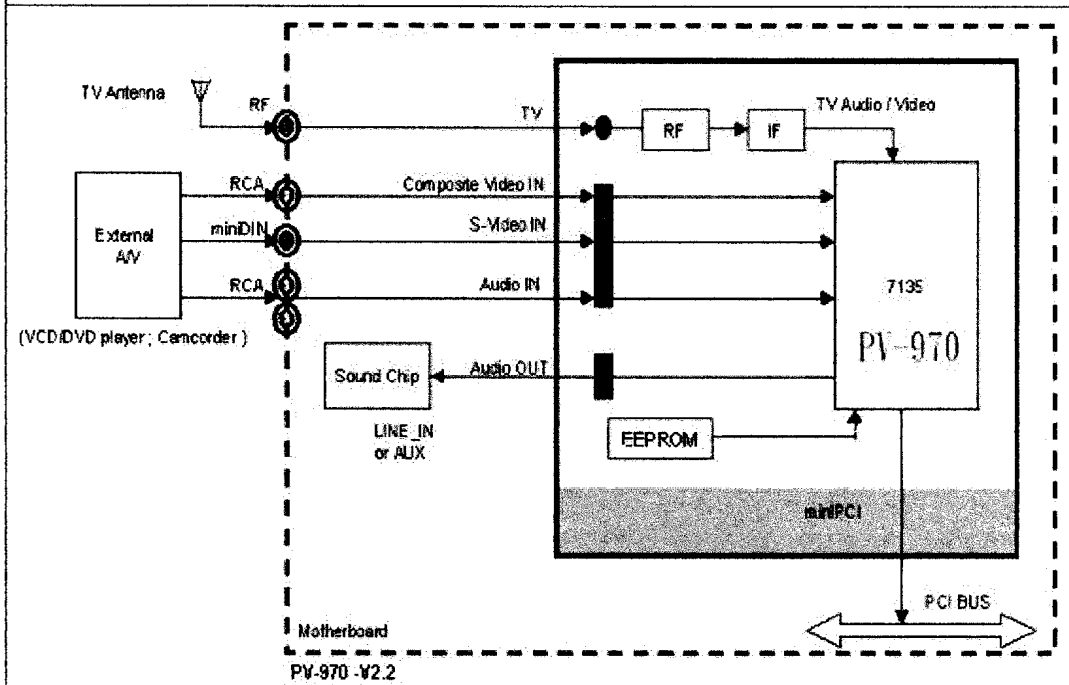
CHKD

DATE:

APVD

DATE

B. BLOCK DIAGRAM



CHKD

DATE:

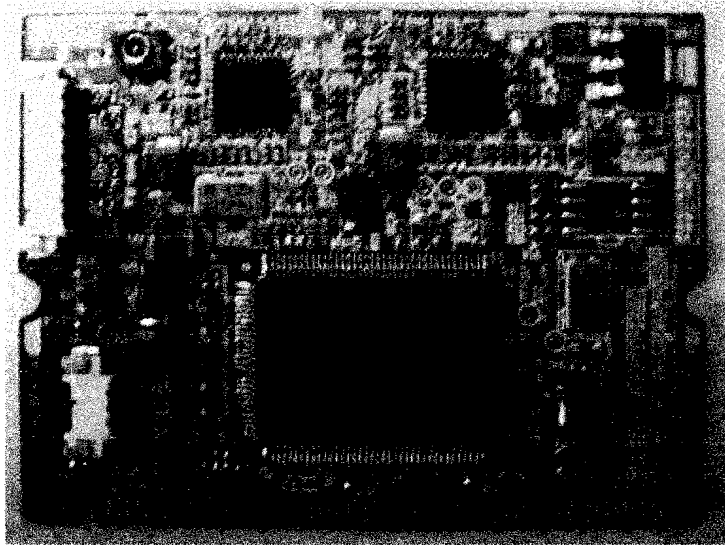
APVD

DATE

C. PV-970 INTRODUCTION

INTRODUCTION

PV-970 is a MiniPCI TV Card, which combines the advantage of Philips silicon tuner and SAA7135 chipset.



1.1 Worldwide TV Standard

Taking the advantage of silicon tuner, PV-970 supports worldwide TV standard including NTSC, PAL, SECAM. It enables you to watch TV on notebook at any time, anywhere, without any boundary.

1.2 Worldwide TV Stereo

Moreover, PV-970 is capable of worldwide TV audio decoding, covering Nicam, A2, and BTSC, EIAJ stereo/bilingual.

1.3 MiniPCI Type IIIB

PV-970 meets the spec of MiniPCI Type IIIB, it's perfect design for manufacture of notebook PC or slim PC, which wish to offer TV function for the end-user.

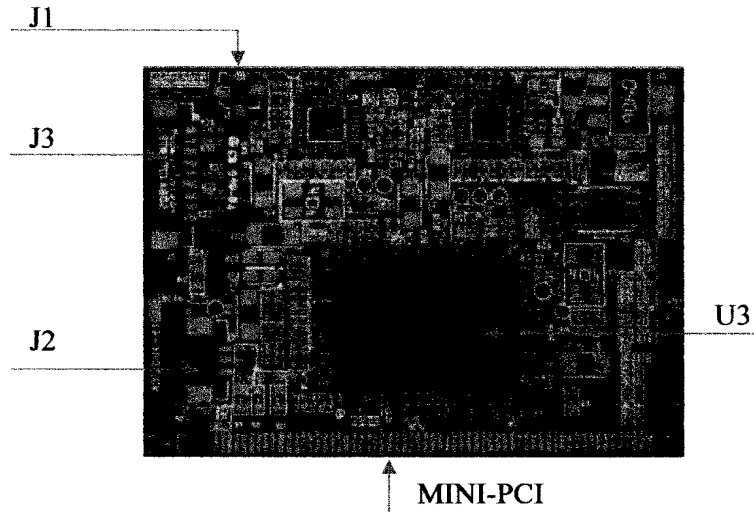
CHKD

DATE:

APVD

DATE

D. CONNECTOR DESCRIPTION



J1	RF IN	The RF cable connection is required between RF connector (on PC case) and J1.
J2	Audio OUT	In case of some third-party TV Application S/W, the audio from TV card is bypassed to “Line_IN” or “AUX” of Sound chip. J1 is designed for this connection. the audio is digitized by SAA7135 then through PCI BUS directly. So, the omission of J2 is allowed.
J3	External Audio/Video IN	If the AV Input is optional, the J3 connection is necessary
U3	PCI audio and video broadcast decoder and capture	SAA7135 supports global TV stereo covering Nicam/A2 , BTSC/EIAJ stereo and MTS bilingual
MINI-P CI	Interface	Some reserved pins on miniPCI interface were particularly defined for Audio_Out and Audio/Video_IN. If Motherboard follows these definitions, J3 and J2 will be omitted

CHKD

DATE: