

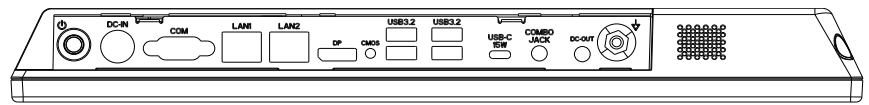
# CyberMed G15 Generation 2

## 15.6" Fanless Medical Computer



### Main Features

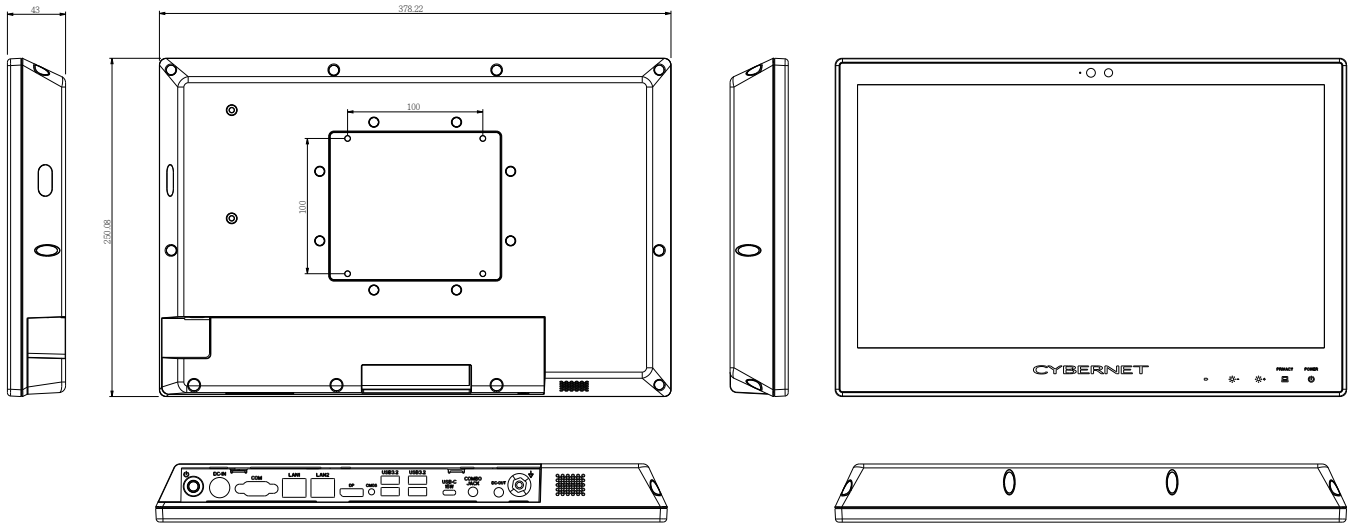
- 15.6" LCD Panel
- PCAP Multi-Touch Display
- IP65 Rated
- Global IEC60601-1 Certified
- Fanless Design
- Antimicrobial\* Housing



### Technical Specifications

<b>Display</b>	15.6" Medical Grade FHD LED Panel 1920x1080, 350 Nits (Optional 500 Nits)
<b>CPU Support</b>	14th Generation Intel Ultra 5/7 Processors with vPro Technology
<b>Memory</b>	2x DDR5 5600MHz 262-pin SO-DIMM sockets, Populated up to 64GB
<b>Operating System</b>	Windows 11, Windows IoT, Linux
<b>Video &amp; Graphics</b>	Integrated Intel® Graphics
<b>Touch Screen</b>	PCAP Multi-Touch with Optional Antiglare Technology
<b>Networking</b>	1x 2.5Gigabit (GbE) LAN Intel i226LM   1x 2.5Gigabit (GbE) LAN i226V
<b>Wireless</b>	WiFi 7 + Bluetooth 5.4
<b>Expansion Slots</b>	1x mPCIe Full-size Slot 1x M.2 A/E Key Slot
<b>HDD Support</b>	1x 6Gbps Serial ATA III Port 1x M.2 B/M Key Slot for NVMe SSD
<b>TPM</b>	Version 2.0 Standard.
<b>Colors</b>	White with Antimicrobial* Protection
<b>Power Supply</b>	Medical Grade Power Supply with Universal input: 100~240V AC, 50-60Hz   Output: 19V 12V/24V Support with Optional DC Converter
<b>Relative Humidity</b>	10%~90% (non-condensing)
<b>IP Rating</b>	IP65 Sealed Front Bezel and IPX1 Back Cover
<b>Pressure</b>	700 to 1060hPa (0~3000 meters)
<b>DC Power Out</b>	Optional: Power Module with 26 Watts of Power Available for External Devices

\*Antimicrobial technology protects the housing of the computer & tablet. Cybernet makes no direct or implied claims to protecting users or providing other health benefits.



## Mechanical & Environmental

<b>Dimensions</b>	14.85" x 9.85" x 1.69" (L,W,D)
<b>Weight</b>	6.6 lbs without base stand
<b>Wall Mount</b>	Supports 100mm VESA mounting holes
<b>Environment</b>	Ambient Temperature: 0°C~35°C (operating)
<b>Certifications</b>	UL60601-1, cUL60601-1, IEC60601-1, IEC60601-1-2 4th Edition, EN60601-1, IEC62368-1 electrical safety, FCC class B, CE, Energy Star, RoHS, WEEE, REACH

## Input/Output

<b>I/O Ports</b>	4x USB 3.2 Gen2 1x USB-C (10Gbps)   Supports 15W Power Delivery, 5V/3A 1x RS232/422/485 1x Display Port
<b>Audio</b>	Realtek High Definition Audio. One built-in 3.0 watt speaker. One combination jack for Audio Line Out and Microphone.

## Optional Features

- 2 MP IR Webcam, supports Windows Hello
- DC Power Output for Peripherals
- HIPAA Compliant Privacy Filter
- Internal UPS Battery
- Up to 5x COM (RS232) Ports on Back Cover
- Antimicrobial\* Base Stand
- Smart Card Reader
- Integrated Imprivata SSO
- Certified RFID Reader
- Extended Warranties



\*Antimicrobial technology protects the housing of the computer & tablet. Cybernet makes no direct or implied claims to protecting users or providing other health benefits.

**CYBERNET**

Find out more at [www.cybernetman.com](http://www.cybernetman.com)  
Global Operations: USA · UK · Taiwan · China · Australia  
Email: [sales@cybernet.us](mailto:sales@cybernet.us)

**Ready for your CyberMed G15?**

**Get Quote**