

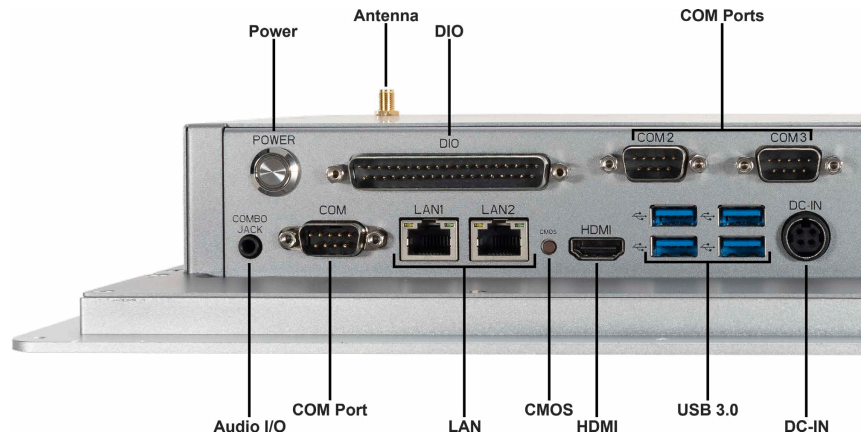
iPC M12

12" Fanless Industrial PoE Panel PC



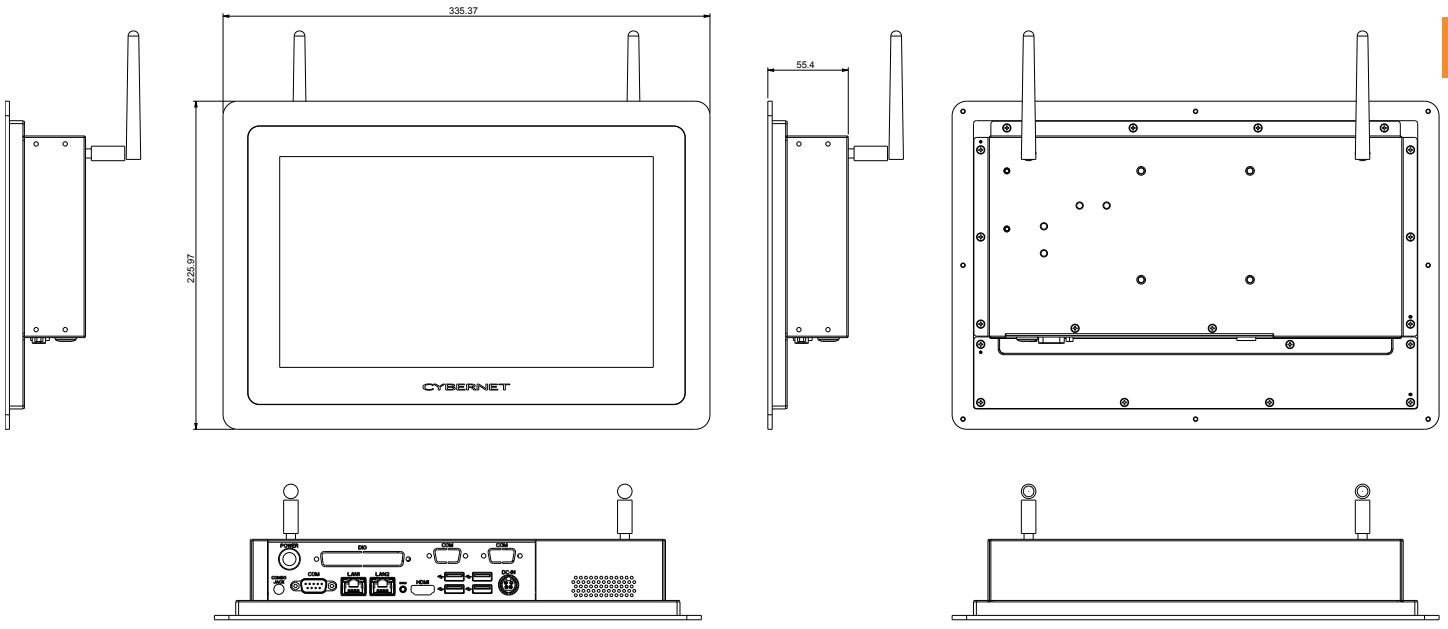
Main Features

- 12" FHD LED
- PCAP Multi-Touch Display
- IP65 Rated
- Power Over Ethernet
- Fanless Design
- Supports VESA and Panel Mount
- Rugged Aluminum Case



Technical Specifications

Display	FHD LED Panel 1920x1080 300nits 178°/178° Viewing Angle 800:1 Contrast Ratio
CPU Support	Intel Quad Core J1900 CPU
Chipset	Integrated
Memory	1x DDR3L 1333MHz SO-DIMM sockets, populated up to 8GB
Operating System	Windows 10, Windows IoT, Windows 8.1, Windows 7, Linux
Video & Graphics	Intel HD Graphics
Touch Screen	PCAP Multi Touch with Optional Resistive Touch
Networking	1x Gigabit (Gbe) Intel i210 1x Gigabit (Gbe) Realtek RTL8111
Wireless	802.11 a/b/g/n + Bluetooth 4.2 with external antenna connectors
Bios	Insyde with PXE, LAN & USB boot support
Expansion Slots	1x Full-size Mini PCI Express slot (Unavailable with POE Option) 1 x M.2 2230 A/E Key
HDD Support	1x 128GB Solid State Drive up to 512GB
TPM	Version 2.0 Standard. Optional: Version 1.2
Webcam	Optional: 5 Megapixel Front-facing
Colors	Brushed Aluminum Silver Front Frame with Grey Rear Cover
Power Supply	72W PSU. Input: AC 100-240V, 1.5A 50-60Hz. Output: 19VDC, 3.78A Power Over Ethernet (POE) Support via 802.3bt
Relative Humidity	10%~90% (non-condensing)
Waterproof	IP65 Sealed Front Bezel and IPX1 Back Cover



Mechanical & Environmental

Dimensions	13.4" x 8.9" x 2.2" (L,W,D)
Weight	5 lbs without base stand
Wall Mount	Supports 75mm VESA mounting holes
Environment	Ambient Temperature: -20°C~50°C (operating)
Certifications	UL60950, FCC Class B, CE, Energy Star, IP65 Sealed Front Bezel

Input/Output

I/O Ports	<ul style="list-style-type: none"> 4x USB 3.0 Ports 1x Audio Combo Jack 1x HDMI Port 4x RS232
Audio	Realtek ALC269 High Definition Audio. One built-in 2.0 watt stereo speaker

Optional Features

- Resistive Touch
- Base Stand
- 5 Megapixel Webcam
- Internal Microphone
- Wireless Keyboard & Mouse
- Digital I/O Module
- Extended Warranties

